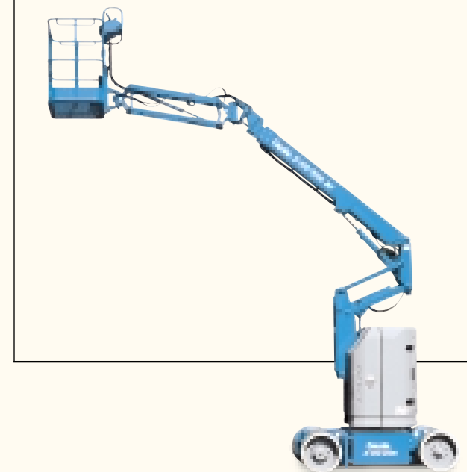




**Narrow
Self-Propelled
Articulating
Boom**

**Z™-30/20N
Z™-30/20N RJ**

- Zero tailswing!
It works in tight
places.



Z-30/20N RJ

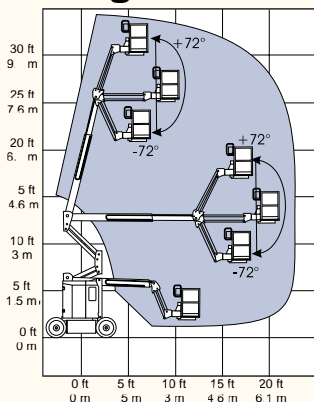
Compelling Reasons to Buy the Z-30/20N Boom

- Zero tailswing and zero front arm swing in stowed and raised working positions, along with its 47 in (1.2 m) wide chassis, make this boom the only one with **true narrow aisle access**.
- The 4 ft (1.22 m) jib boom has 144° range of motion, so **it can be positioned above or below horizontal**.
- Z-30/20N RJ has optional rotating jib that **adds an industry-leading 200° of horizontal rotation**.
- 180° powered platform rotation allows **precise platform positioning and easy operation**.
- The all-new Sep-Ex drive motors and controller provide automatic **hill braking and ramp braking**.
- The Sep-Ex drive system allows maximum drive performance resulting in **35% gradeability and 3.3 mph travel speed**.
- The Sep-Ex motor controller **eliminates the need for forward/reverse contactors or speed sensors**. This reduces complexity and improves the reliability of the drive system.

Standard Features

- Compact 47 in (1.2 m) overall width
- 500 lb (227 kg) lift capacity
- Fully proportional controls
- 180° platform rotation
- Self-leveling platform
- Jib features 144° working range
- 48V DC power source
- Drive enable system
- AC wiring to platform
- Solid rubber, non-marking tires
- Hour meter

Range of Motion



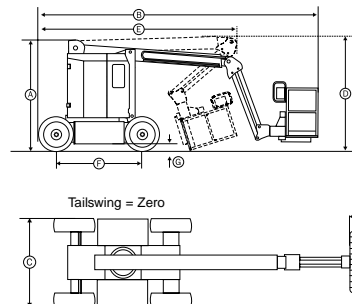
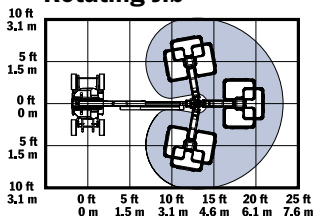
Options and Accessories

- Rotating jib, providing 200° of horizontal rotation
- Battery charge indicator
- Alarm package

Standards Compliance

- ANSI/SIA A92.5
- CSA CAN3-B354.4-M82
- CE compliance option
- AS 1418.10

Range of Motion for Rotating Jib



Specifications

	Z-30/20N		Z-30/20N RJ	
	US	Metric	US	Metric
Working height max	36 ft	11 m	34 ft 10 in	10.6 m
Platform height max	30 ft	9.1 m	28 ft 10 in	8.8 m
(A) Height - stowed	6 ft 7 in	2 m	6 ft 7 in	2 m
(B) Length - stowed	16 ft 9 in	5.1 m	17 ft 5 in	5.3 m
(C) Width	3 ft 11 in	1.2 m	3 ft 11 in	1.2 m
(D) Storage height	6 ft 10 in	2.08 m	7 ft 4 in	2.24 m
(E) Storage length	11 ft 6 in	3.5 m	12 ft	3.76 m
(F) Wheelbase	5 ft 2 in	1.57 m	5 ft 2 in	1.57 m
(G) Ground clearance	3½ in	9 cm	3½ in	9 cm
(H) Platform width	46 in	1.17 m	46 in	1.17 m
(I) Platform length	30 in	76 cm	30 in	76 cm
Horizontal reach max	21 ft	6.4 m	20 ft 8 in	6.3 m
Up and over clearance	12 ft 6 in	3.8 m	12 ft 6 in	3.8 m
Lift capacity	500 lb	227 kg	500 lb	227 kg
Turning radius (outside)	9 ft 10 in	3 m	9 ft 10 in	3 m
Turning radius (inside)	5 ft 5 in	1.65 m	5 ft 5 in	1.65 m
Turntable rotation	359°		359°	
Tailswing	zero		zero	
Power source	48V (8 6V 350 AH batteries)			
Drive speed - stowed	0-3.3 mph	0-5.3 km/h	0-3.3 mph	0-5.3 km/h
Drive speed - raised *	0-0.6 mph	0-1 km/h	0-0.6 mph	0-1 km/h
Controls	proportional		proportional	
Platform rotation	180°		180°	
AC wiring to platform	standard		standard	
Tires (solid rubber, non-marking)	22 x 7 x 18 in	56 x 18 x 46 cm (both models)		
Auxiliary power unit	standard (electric)		standard (electric)	
Gradeability	35%		35%	
Hydraulic tank capacity	4 gal	15 litre	4 gal	15 litre
Weight	14,500 lb	6,577 kg	14,600 lb	6,622 kg

*In lift mode (platform raised), the machine is designed to operate on firm, level surfaces only.

Distributed By:

Genie Industries

GENIE UNITED STATES

18340 NE 76th Street
P.O. Box 97030
Redmond, Washington 98073-9730
Telephone (425) 881-1800
Toll Free in USA/Canada 800-536-1800
Fax (425) 883-3475
<http://www.genielift.com>

GENIE UNITED KINGDOM

The Maltings, Wharf Road
Grantham
Lincolnshire NG31 6BH
England
Telephone (44) 01476-584333
Fax (44) 01476-584334
<http://www.genielift.com>