



→ Cantilever lift for trucks, trailers and semi-trailers

## DH-LM.20 • 1500 - 2000 kg



The DH-LM.20 is an **extremely versatile medium capacity lift**, suitable for commercial trucks above 7.5T GVW, trailers and semi-trailers.

This powerful 4-cylinder lift is available with reinforced steel platforms or light-weight aluminium platforms up to 2250 mm.

Special applications are available: **half width** tail lifts (DH-LMZ), lifts for truck-trailer combinations with **draw-bar** (DH-LV), adaptations for **trailer-coupling mounted between the chassis beams** (arm LMK), for **very short overhang** (DH-LMP), and for **tipper vehicles** (DH-KA).

### Lift capacity

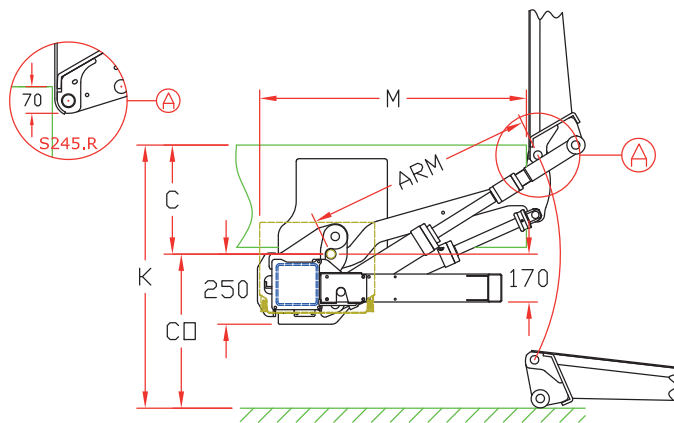
CAP	CG	LM
1500 kg	750 mm	11.25 kNm
2000 kg	750 mm	15 kNm

### Weights [see pg. 11]

STEEL platform		ALU platform	
1500 mm	490 kg	1600 mm	400 kg
1750 mm	540 kg	1800 mm	415 kg
2000 mm	585 kg	2000 mm	430 kg

Weights incl. CE bumper

## Top seller in the medium capacity range



### Fitting dimensions

ARM		820	880	940	1000	1100
K max.		1305	1390	1490	1560	1725
C max.		675	720	770	815	895
C min.		300	350	400	400	450
CO max.		630	670	720	745	830
M	at C max.	730	770	800	840	900
M	at C min.	990	1035	1080	1150	1230

### Technical specifications

Lift frame	150 x 150 mm
Cylinders	2 lift cylinders + 2 tilt cylinders
Automatic tilt at ground level	Yes, mechanical
Platform material	Aluminium or steel
Platform overlap under floor	-70 mm
Standard platform depths	Steel: 1500 - 1750 - 2000 mm (max. 2250) Alu: 1600 - 1800 - 2000 mm (max. 2250)
Standard platform widths	Steel: 2350 - 2480 - 2500 - 2520 - 2550 mm Alu: free up to 2550 in steps of 5 mm
Lift arm lengths	820 - 880 - 940 - 1000 - 1100 mm
Lift arm widths	800 - 1150 - 1300 - 1550 mm
Standard control unit	Exterior control box with joystick, turn button safety switch, and battery isolator switch (S008.BT)