



→ Slider lift for light and medium size trucks

DH-SM.15 • 1000 - 1500 kg



The DH-SM.15 is the **lightest of the conventional slider lifts** with single fold platforms. It is equipped with a compact lift frame and short lift arms, in order to minimize the required overhang, and forms an ideal fit for light and medium capacity trucks of 7.5 to 12T GVW.

In its travel position, the DH-SM.15 is **safely stored** underneath the chassis of the vehicle. It is ideal for frequent fork lift and dock loading operations, for demountable bodies, for occasional use, and all applications requiring quick and free access to the cargo space.

Lift capacity

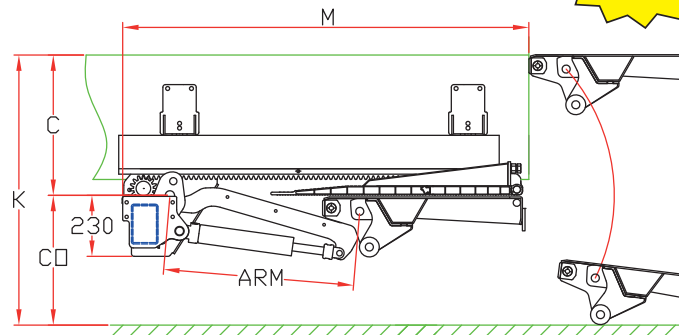
CAP	CG	LM
1000 kg	600 mm	6 kNm
1500 kg	750 mm	11.25 kNm

Weights [see pg. 11]

STEEL / ALU		ALU / ALU	
1500 mm	370 kg	1500 mm	340 kg
1700 mm	390 kg	1700 mm	355 kg
1800 mm	400 kg	1800 mm	362 kg

Light 4-cylinder slider lift, single fold platform

2012



Fitting dimensions

ARM		720	800	880
K max.		1185	1290	1400
C max.		600	660	700
CO max.		585	630	700
M	1500 mm platform	1520	1600	1680
M	1700 mm platform	1620	1700	1780
M	+ option S245.5	-100	-100	-100

Technical specifications

Lift frame	100 x 150 mm
Cylinders	2 lift cylinders + 2 tilt cylinders
Retraction IN / OUT	Hydromotor + gear wheel system
Automatic tilt at ground level	Yes, mechanical
Platform material	Steel / alu & alu /alu
Standard platform depths	1500 - 1700 - 1800 mm
Standard platform widths	2100 - 2300 Other widths on request (S261)
Lift arm lengths	720 - 800 - 880 mm
Lift arm widths	1300 mm
Standard control unit	Exterior control box with joystick, turn button safety switch, and battery isolator switch (S008.BT)

Remark: model year 2012. All data are provisional